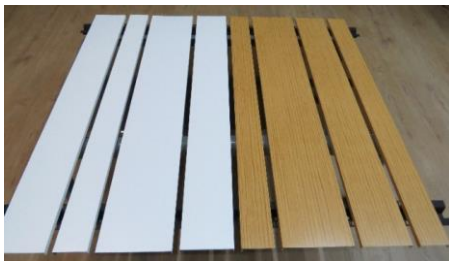


# MULTI-LIPPED LINEAR CEILING SYSTEM

The multi-lipped ceiling system is a linear system with visible gaps between panels and a concealed suspension system. Our unique universal carrier allows different panel sizes to exist in a same ceiling space. This allows unlimited combination of different panel widths and depths which provides great flexibility for design. The carrier is a hook-on design in which installation and removal of panels can be done easily and provides great convenience to users.



## PROPERTIES

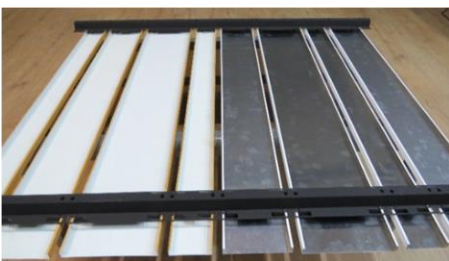


### Applications

Any places that require ventilation and low noise exposure like offices, school, corridor, shopping centres, airport and train station.

### Technical Specifications

Material:	Aluminium 0.7mm thick
Width:	80mm / 130mm / 180mm / 280mm
Depth:	18mm / Customize
Length:	Customize
Panel Spacing:	20mm / Customize
Surface finishing:	Polyester Paint/ Powder Coating
Edges:	Square-edge



### Product Features



### Suspension Specifications

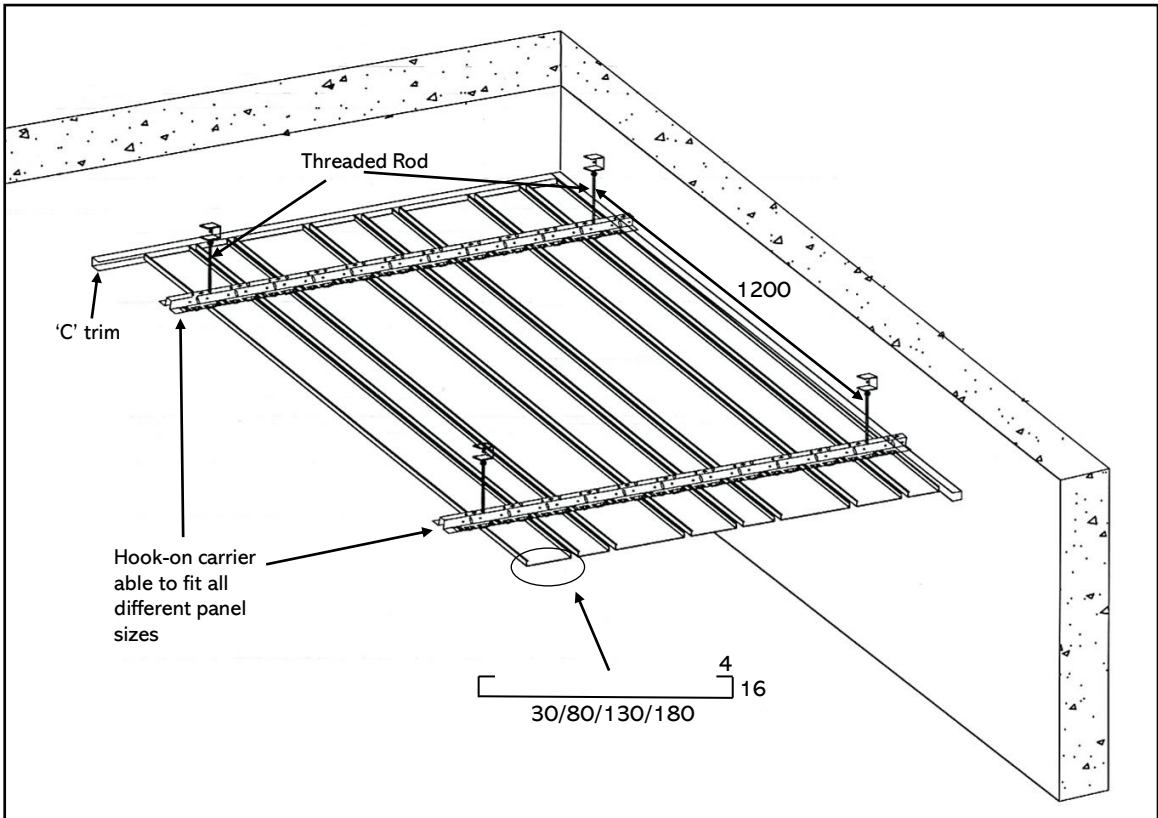
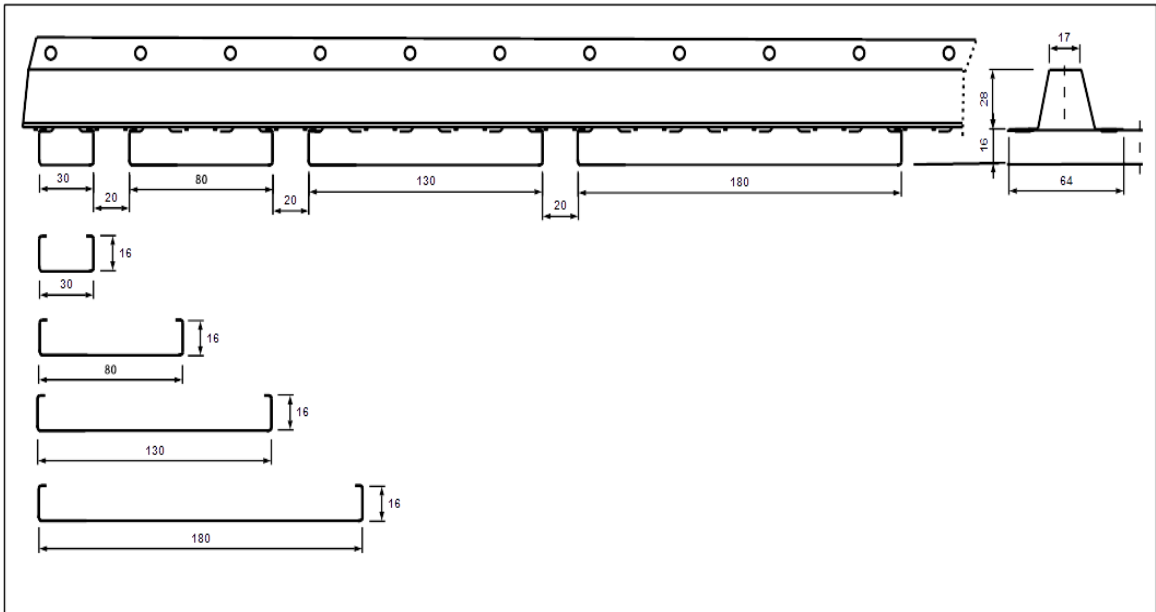
Consists of threaded rods, 'C' trim and panel carriers. With the lightweight of the ceiling (2kg/sqm) and the rigidity of the construction, only 1 suspension is required for an area of 1.5 to 2sqm.

Carrier material: 0.5mm thick steel coated enamel paint



1000 Tai Seng Ave  
#01-2514 Singapore 534421  
**acmetal.com.sg**  
enquiry@acmetal.com.sg

## An Overview of Carrier with Various Panel Sizes



### Colour Selection



Pearl White



Metallic Silver



Woodgrain



Custom

